



Almega Friendly series II

NEW High-Payload Robot
FD-V80/V100/V130

100 kg PAYLOAD CLASS
HANDLING ROBOT
THREE NEW MODELS



FD-V80

80 kg payload
Reach 2501 mm



FD-V100

100 kg payload
Reach 2236 mm



FD-V130

130 kg payload
Reach 2139 mm

Three new models 100-kg payload class handling robots

FD-V80/V100/V130

High-density layout is possible

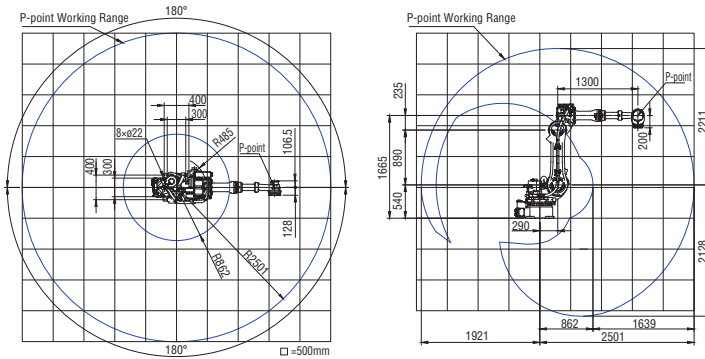
Cycle times are reduced

Easy communication with external devices

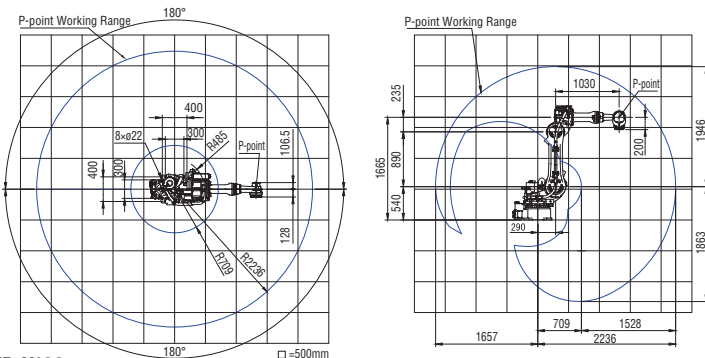
- Avoiding the interference with jigs or workpieces by slim design.
- Compatible wide operating range and narrow interference radius
- Due to the industry's fastest speeds.
- Compatible with application cable of various communication standards
- Built-in cable from robot base to shoulder.

MANIPULATOR WORKING RANGE

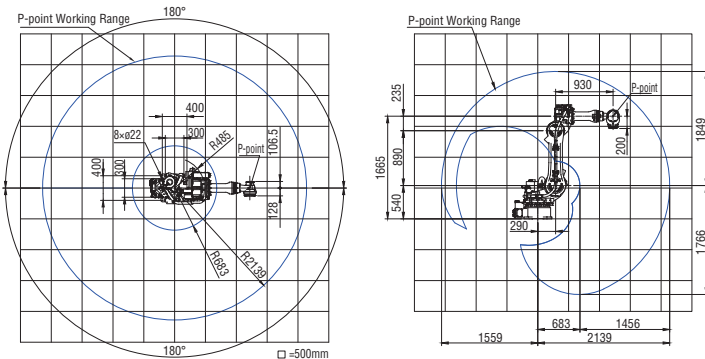
FD-V80



FD-V100



FD-V130

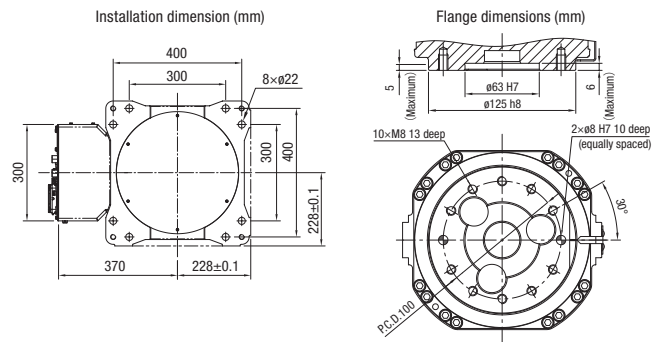


MANIPULATOR SPECIFICATIONS

		FD-V80	FD-V100	FD-V130
Structure		Vertical articulated type		
Number of Axes		6		
Max. Payload Capacity		80 kg	100 kg	130 kg
Positional Repeatability		±0.08 mm (Note 1)		
Drive System		AC servomotor		
Drive Capacity		15kw		
Position Feedback		Absolute encoder		
Working Range	Arm	J1 (Rotation)	±180°	
		J2 (Lower arm)	-155° ~ +90°	
		J3 (Upper arm)	-185° ~ +220°	
	Wrist	J4 (Swing)	±360°	
		J5 (Bending)	-35° ~ +215°	
		J6 (Twist)	±360°	
Maximum Speed	Arm	J1 (Rotation)	2.44 rad/s [140°/s]	
		J2 (Lower arm)	1.92 rad/s [110°/s]	
		J3 (Upper arm)	2.44 rad/s [140°/s]	
	Wrist	J4 (Swing)	3.05 rad/s [175°/s]	
		J5 (Bending)	3.05 rad/s [175°/s]	
		J6 (Twist)	4.45 rad/s [255°/s]	
Wrist Allowable Load	Allowable Moment	J4 (Swing)	433 N · m	721.0 N · m
		J5 (Bending)	430 N · m	721.0 N · m
		J6 (Twist)	294 N · m	294.0 N · m
	Allowable Moment of Inertia	J4 (Swing)	31.4 kg · m ²	60.0 kg · m ²
		J5 (Bending)	31.4 kg · m ²	60.0 kg · m ²
		J6 (Twist)	11.9 kg · m ²	33.7 kg · m ²
Arm Cross-sectional Area		9.53 m ² × 360°	7.56 m ² × 360°	6.83 m ² × 360°
Ambient Conditions		Temp: 0 to 45°C, Hmd: 20 to 80%RH (No Condensation)		
Mass (weight)		780 kg	770 kg	765 kg
Upper Arm Payload Capacity		25 kg		
IP Code		Base axes (J1, J2, J3 Axis) IP54 Wrist axes (J4, J5, J6 Axis) IP67/69 (Note 2)		
Installation Type		Floor or wall		
Paint Color		White (Munsell notation 10GY 9/1)		

Notes

1. Positional repeatability of the tool center point (TCP) value complies with the JIS-B-8432 Standard.
2. IP code is based on IEC60529.



In accordance with DAIHEN's policy to make continuing improvements, design and/or specifications are subject to change without notice and without any obligation on the part of manufacturer.

DAIHEN Corporation

4-1, Koyochi-nishi, Higashinada-ku, Kobe, Hyogo 658-0033, Japan
 Phone: (Country Code 81) 78-275-2006
 Fax: (Country Code 81) 78-845-8159

Distributed by:

Note This product and the technologies (including software) used in the product are subject to Catch-All Controls. When exporting any of them, verify the users, applications, etc. according to the applicable laws and regulations and take appropriate procedures such as applications for export permission to the Minister of Economy, Trade and Industry if required.

- The information contained in this catalog is current as of April 2019 and is subject to revision without notice.
- This catalog was printed with environmentally-friendly vegetable oil ink.