

YASKAWA

MOTOMAN MPX3500

Painting with the MPX3500

The fast and flexible MOTOMAN MPX3500 offers high performance in painting automobile bodies, bumpers, construction equipment and further more.



A high-density layout saves space by reducing the size of the painting booth. The L axis is designed with no offset to enable installation of the manipulator closer to a work piece, which saves space. The time required for teaching large cells can be shortened by converting the data created for the robot on one side for the robot on the opposite side.

The hoses and tubes of the MOTOMAN MPX3500 can be routed inside the wrist section to prevent interferences. The process arm and high payload of this robot allows the mounting of large bell applicators, which enable multi-color painting.

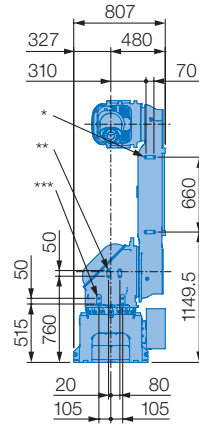
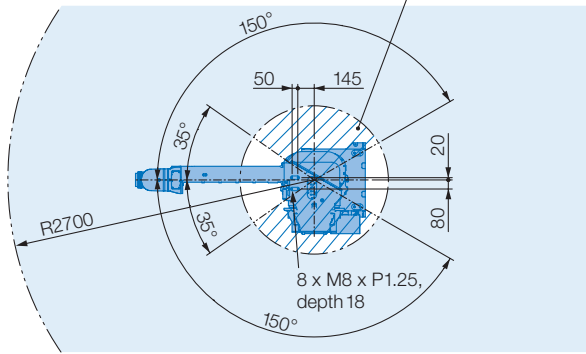
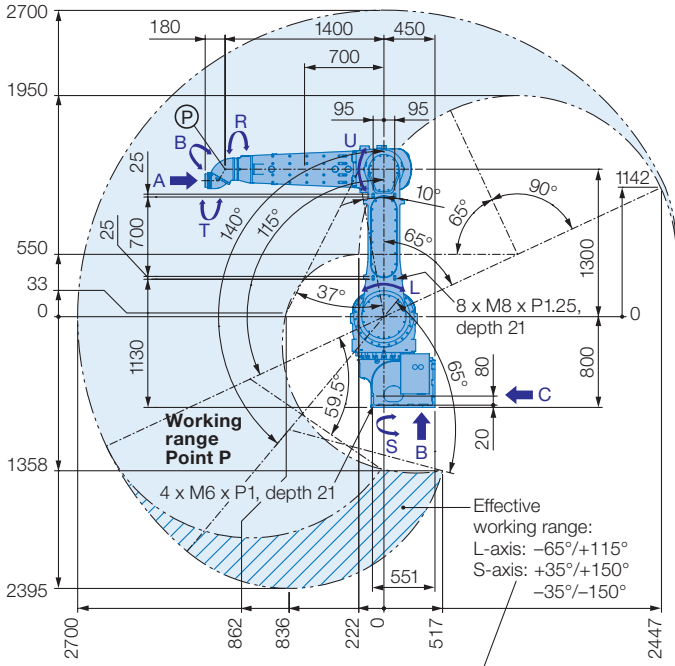
The MOTOMAN MPX3500 is controlled by the high-performance MOTOMAN DX200 controller, which is available with the optional Functional Safety Unit (FSU) that offers a wide range of new safety functions.

KEY BENEFITS

- Flexible, fast and versatile
- Compact design
- Large motion range: Front area 2700 mm; wall mounted 3500 mm
- High Payload of wrist: 15 kg
- Process arm with enough space for potential separator and process technology
- Easy programming and installation
- Great availability

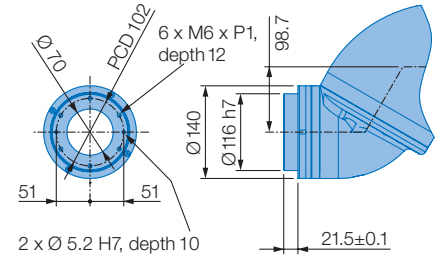
Controlled by
DX200

MOTOMAN MPX3500

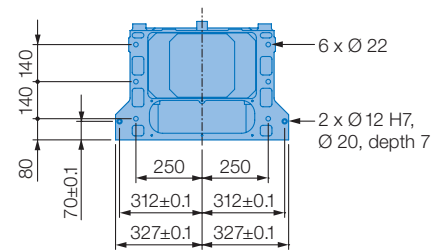


- * 8 x M10 x P1.5, depth 20
- ** 8 x M8 x P1.25, depth 18
- *** 8 x M16 x P2, depth 36

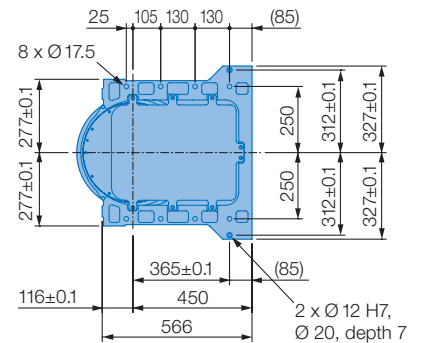
View A



View B



View C

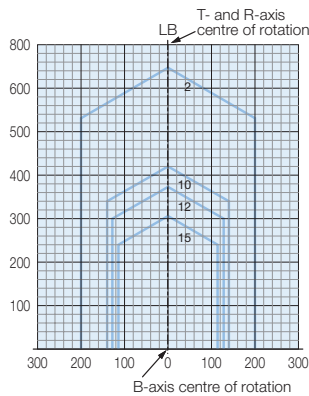


Mounting options: Floor, ceiling, wall

Protection class: IP4X/67

All dimensions in mm | Technical data may be subject to change without previous notice | Please request detailed drawings at robotics@yaskawa.eu.com – YR-MPX3500-0*, B-04-2016, A-No. 176061

Allowable wrist load



ATEX Category 2: (MPX3500-Cxx)

Ex II 2 G Ex ib px IIB T4 Gb
Ta = 0°C bis 40°C

CE
0408

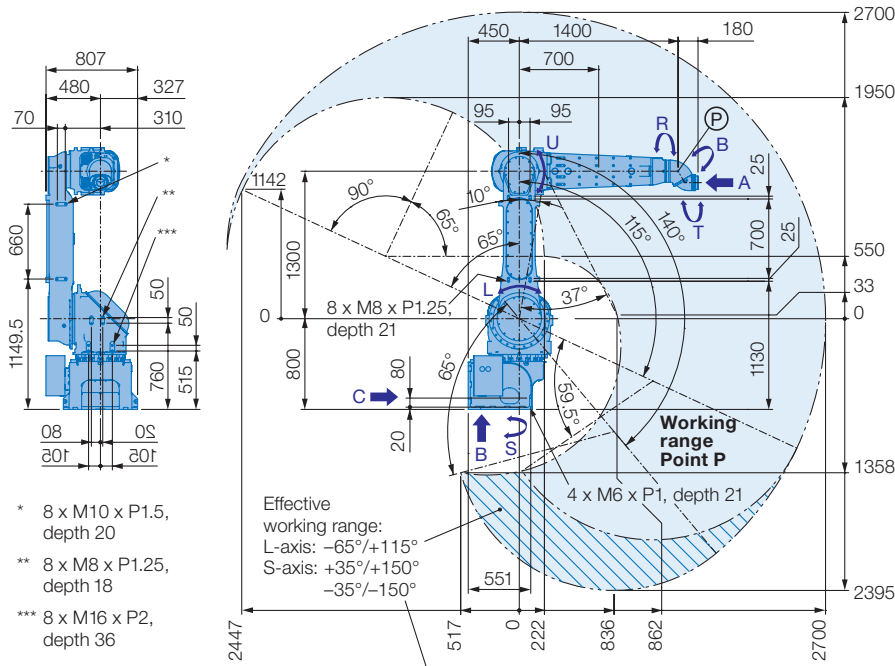
ATEX Category 3: (MPX3500-Fxx)

Ex II 3 G D c Ex nA IIC T4 Gc
Ex tc IIIC T135°C Dc
Ta = 0°C bis 40°C

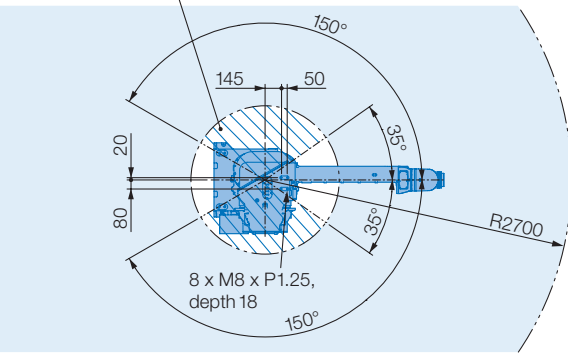
CE



MOTOMAN MPX3500



- * 8 x M10 x P1.5, depth 20
- ** 8 x M8 x P1.25, depth 18
- *** 8 x M16 x P2, depth 36



MOTOMAN MPX3500-*1*

ATEX Category 2: (MPX3500-Cxx)

Ex II 2 G Ex ib px IIB T4 Gb
Ta = 0°C bis 40°C

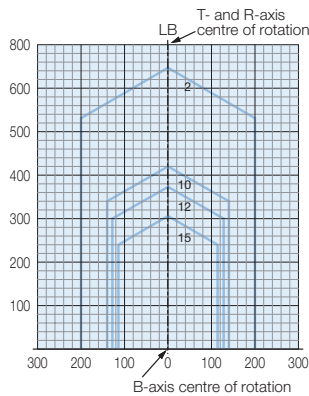


ATEX Category 3: (MPX3500-Fxx)

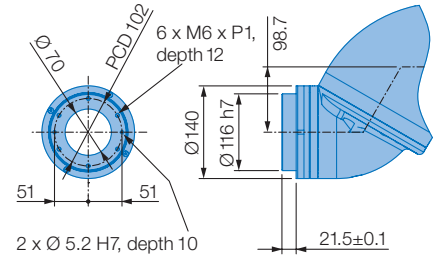
Ex II 3 G D c Ex nA IIC T4 Gc
Ex tc IIIC T135°C Dc
Ta = 0°C bis 40°C



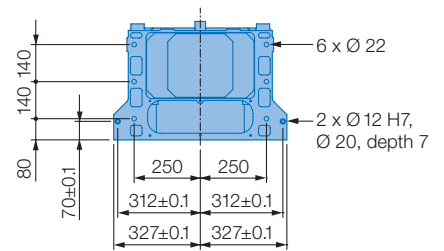
Allowable wrist load



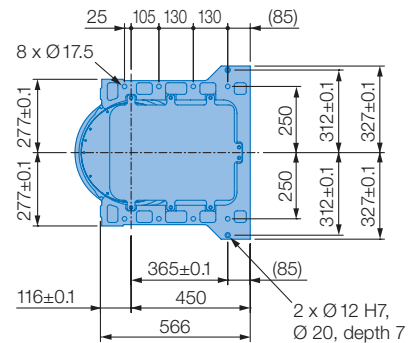
View A



View B



View C



Mounting options: Floor, ceiling, wall

Protection class: IP4X/67

All dimensions in mm | Technical data may be subject to change without previous notice | Please request detailed drawings at robotics@yaskawa.eu.com - YR-MPX3500-10*, B-04-2016, A-No. 176061

Specifications MPX3500-*0/MPX3500-*10

Axes	Maximum motion range [°]	Maximum speed [°/sec.]	Allowable moment [Nm]	Allowable moment of inertia [kg · m ²]	Controlled axes	
						6
S	± 150	100	-	-	Max. payload [kg]	15
L	+ 140/-65	100	-	-	Repeat. pos. accuracy [mm]	±0.15
U	+ 90/-65	110	-	-	Max. working range R [mm]	2700
R	± 720	300	93.2	3.75	Temperature [°C]	0 to +40
B	± 720	360	58.8	2.23	Humidity [%]	20 - 80
T	± 720	360	19.6	0.20	Weight [kg]	560
					Power supply, average [KVA]	3

YASKAWA

YASKAWA Headquarters

YASKAWA Europe GmbH
Robotics Division
Yaskawastraße 1
D-85391 Allershausen
Tel. +49 (0) 8166/90-0
Fax +49 (0) 8166/90-103

YASKAWA ACADEMY

and sales office Frankfurt

YASKAWA Europe GmbH
Robotics Division
Hauptstraße 185
D-65760 Eschborn
Tel. +49 (0) 6196/77725-0
Fax +49 (0) 6196/77725-39

YASKAWA GROUP

- A YASKAWA Austria
Schwechat/Wien
+43(0)1-707-9324-15
- CZ YASKAWA Czech s.r.o.
Rudná u Prahy
+420-257-941-718
- E YASKAWA Ibérica, S.L.
Gavà/Barcelona
+34-93-6303478
- F YASKAWA France SARL
Saint-Aignan-de-Grand-Lieu
+33-2-40131919
- FIN YASKAWA Finland Oy
Turku +358-(0)-403000600
- GB YASKAWA UK Ltd.
Banbury +44-1295-272755
- I YASKAWA Italia s.r.l.
Torino +39-011-9005833
- IL YASKAWA Europe Technology Ltd.
Rosh Ha'ayin +972-3-9004114
- NL YASKAWA Benelux B.V.
Son +31-40-2895500
- PL YASKAWA Polska Sp. z o.o.
Wroclaw +48-71-7928670
- RUS YASKAWA Nordic AB
Moskva +46-480-417-800
- SE YASKAWA Nordic AB
Torsås +46-480-417-800
- SI YASKAWA Slovenia
Ribnica +386-1-8372-410
- TR YASKAWA Turkey Elektrik
Ticaret Ltd. Sti.
İstanbul +90-216-5273450
- ZA YASKAWA Southern Africa (PTY) Ltd
Johannesburg +27-11-6083182

DISTRIBUTORS

- BG Kammarton Bulgaria Ltd.
Sofia +359-02-926-6060
- CH Messer Eutectic Castolin
Switzerland S.A.
Dällikon +41-44-847-17-17
- DK Robotcenter Danmark
Løsning +45 7022 2477
- EE RKR Seadmed OÜ
Tallinn/Estonia +372-68-35-235
- GR Gizelis Robotics
Nea Kifissia +30-2106251455
- H Flexman Robotics Kft
Budapest +36-30-9510065
- LT Profibus UAB
Panevezys +370-45-518575
- N Skala Robotech AS
Lierstranda +47-32240600
- PT ROBOPLAN Lda
Aveiro +351-234 943 900
- RO Sam Robotics srl
Timisoara +40-720-279-866
- RO MPL Automation S.R.L.
Satu Mare +40 (0) 261 750 741

