

MotoMini

Compact, Lightweight Design

Key Benefits

Smallest and lightest six-axis robot in the industry

7-kg weight robot is easy to carry, ship and install

Acceleration times are 20% faster over comparable small robots

Single robot-to-controller cable connection enables fast setup

Specifications

0.5 kg payload

350 mm horizontal reach

495 mm vertical reach

±0.02 mm repeatability

Applications

Assembly

Dispensing

Inspection

Kitting

Machine Tending

Material Handling

Packaging

Parts Feeding

Sorting

STEM Education

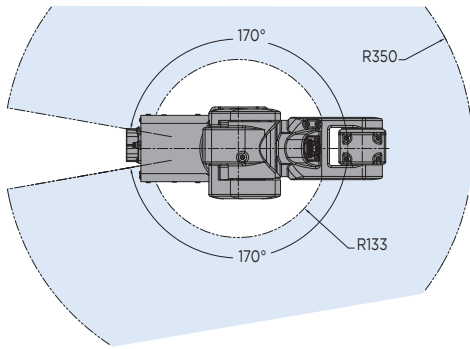
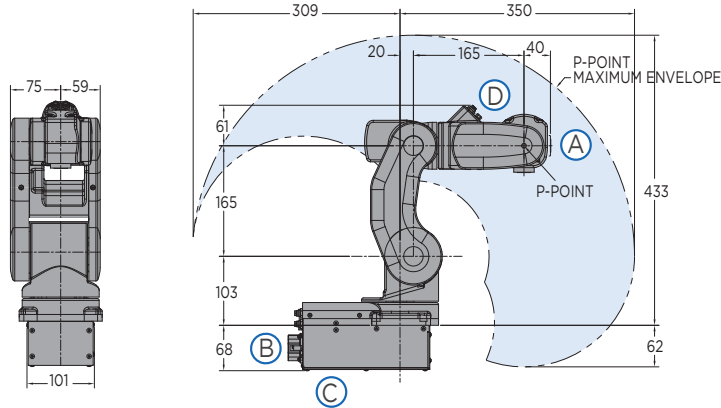
Controller

YRC1000micro

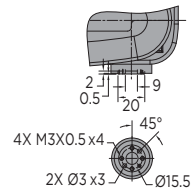


- Extremely lightweight, six-axis industrial robot offers the highest acceleration in a small-sized robot.
- 7-kg weight robot is easy to carry and ideal for tabletop-, floor-, ceiling-, tilt- or wall-mount installations, saving valuable floor space.
- Acceleration times are 20% faster over comparable small robots to reduce cycle time and increase production output.
- 0.5 kg payload supports a unique variety of tooling and sensors to fulfill diverse project needs.
- Compact footprint (191 mm x 124 mm) allows robot to be mounted close to workpieces and other machinery in existing lines or cells.
- Cables and air lines are routed through robot base to upper arm to increase cable life, enhance safety and reduce teaching time.
- Less than 65 dB (with maximum load and speed) offers extremely quiet operation.
- Single power and control cable reduces wiring time and increases work efficiency.
- New robot harness design for improved diagnostics and maintenance.
- Home position data can be saved without battery connection for easy maintenance.
- Powerful and precise ultra-compact YRC1000micro controller minimizes installation space and optimizes performance.
- The YRC1000micro controller utilizes the lightweight standard teach pendant with intuitive programming.

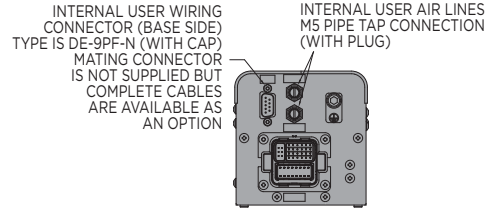
MotoMini Robot



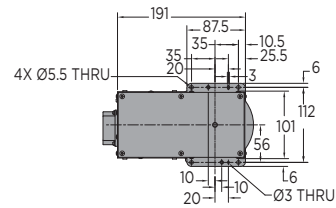
VIEW A



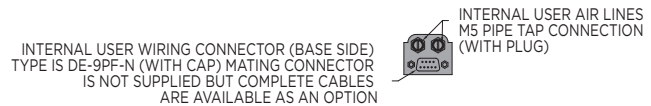
VIEW B



VIEW C



VIEW D



All dimensions are metric (mm) and for reference only. Request detailed drawings for all design/engineering requirements.

SPECIFICATIONS

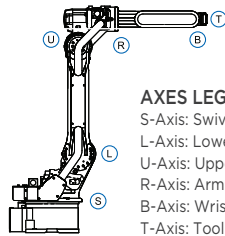
Axes	Maximum motion range [°]	Maximum speed [°/sec.]	Allowable moment [N•m]	Allowable moment of inertia [kg•m ²]
S	±170	315	-	-
L	+90/-85	315	-	-
U	+120/-175	420	-	-
R	±140	600	0.42	0.00378
B	+210/-30	600	0.42	0.00378
T	±360	600	0.37	0.00299

Mounting Options: Floor, Wall, Tilt, Ceiling

Item	MotoMINI
Controlled axes	6
Maximum payload [kg]	0.5
Repeatability [mm]	±0.02
Horizontal reach [mm]	350
Vertical reach [mm]	495
Weight [kg]	7
Internal user I/O cable	24 conductors w/ ground
Internal user air line	2 x M5 connection
Power requirements	1- or 3-phase; 200/230 VAC
Power rating [kVA]	0.5

Options

Contact Yaskawa Motoman for options available with the MotoMini



AXES LEGEND
 S-Axis: Swivel Base
 L-Axis: Lower Arm
 U-Axis: Upper Arm
 R-Axis: Arm Roll
 B-Axis: Wrist Bend
 T-Axis: Tool Flange

Yaskawa America, Inc. | Motoman Robotics Division

100 Automation Way
 Miamisburg, OH 45342
 Tel: 937.847.6200 | motoman.com

Motoman is a registered trademark. All other marks are the trademarks and registered trademarks of Yaskawa America, Inc. Technical specifications subject to change without notice. DS-763-A ©2018 Yaskawa America, Inc. JUNE 2018

YASKAWA