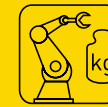
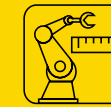


# ARC Mate 100iC/12S (Short arm, Hollow wrist)



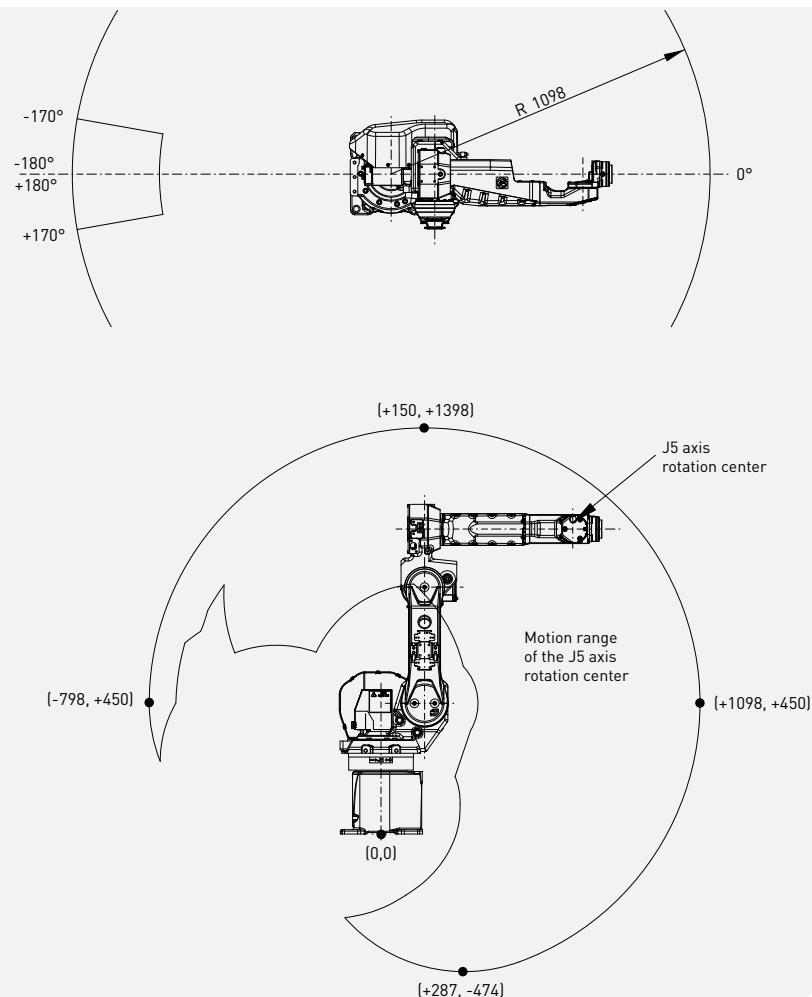
Max. load capacity  
at wrist: **12 kg**



Max. Reach:  
**1098 mm**

| Controlled axes | Repeatability (mm) | Mechanical weight (kg) | Motion range (°) |     |     |     |     |     | Maximum speed (°/s) |     |     |     |     |     | J4 Moment/ Inertia (Nm/kgm <sup>2</sup> ) | J5 Moment/ Inertia (Nm/kgm <sup>2</sup> ) | J6 Moment/ Inertia (Nm/kgm <sup>2</sup> ) |
|-----------------|--------------------|------------------------|------------------|-----|-----|-----|-----|-----|---------------------|-----|-----|-----|-----|-----|---|---|---|
|                 |                    |                        | J1               | J2  | J3  | J4  | J5  | J6  | J1                  | J2  | J3  | J4  | J5  | J6  |   |   |   |
| 6               | ± 0.08             | 130                    | 360              | 250 | 340 | 380 | 380 | 720 | 260                 | 280 | 315 | 430 | 430 | 630 | 7.7/0.24                                  | 7.7/0.24                                  | 0.22/0.0027                               |

## Working Range



## Robot

|                               | ARC Mate 100iC/12S |
|-------------------------------|--------------------|
| Robot footprint [mm]          | 283 x 283          |
| Mounting position Floor       | ●                  |
| Mounting position Upside down | ●                  |
| Mounting position Angle       | ●                  |



## Controller

|                  | 30iB |
|------------------|------|
| Open air cabinet | -    |
| Mate cabinet     | ○    |
| A-cabinet        | ●    |
| B-cabinet        | ○    |
| iPendant Touch   | ●    |

## Electrical connections

|                                |         |
|--------------------------------|---------|
| Voltage 50/60Hz 3phase [V]     | 380-575 |
| Voltage 50/60Hz 1phase [V]     | -       |
| Average power consumption [kW] | 1       |

## Integrated services

|  |     |
|--|-----|
| Integrated signals on upper arm In/Out | 8/8 |
| Integrated air supply                  | 1   |

## Environment

|                           |      |
|---------------------------|------|
| Acoustic noise level [dB] | < 70 |
| Ambient temperature [° C] | 0-45 |

## Protection

|                                  |             |
|----------------------------------|-------------|
| Body standard/optional           | IP54 / IP55 |
| Wrist & J3 arm standard/optional | IP54        |

● standard ○ on request - not available ( ) with hardware and/or software option