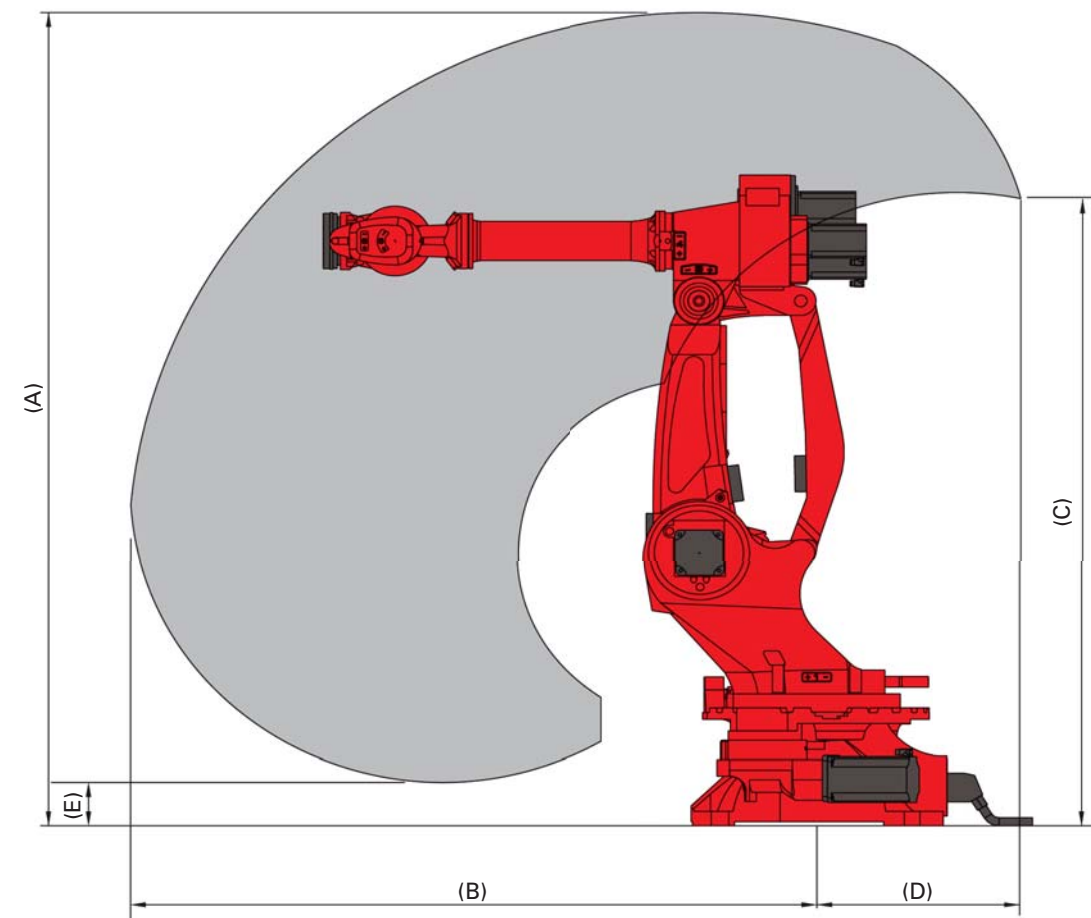
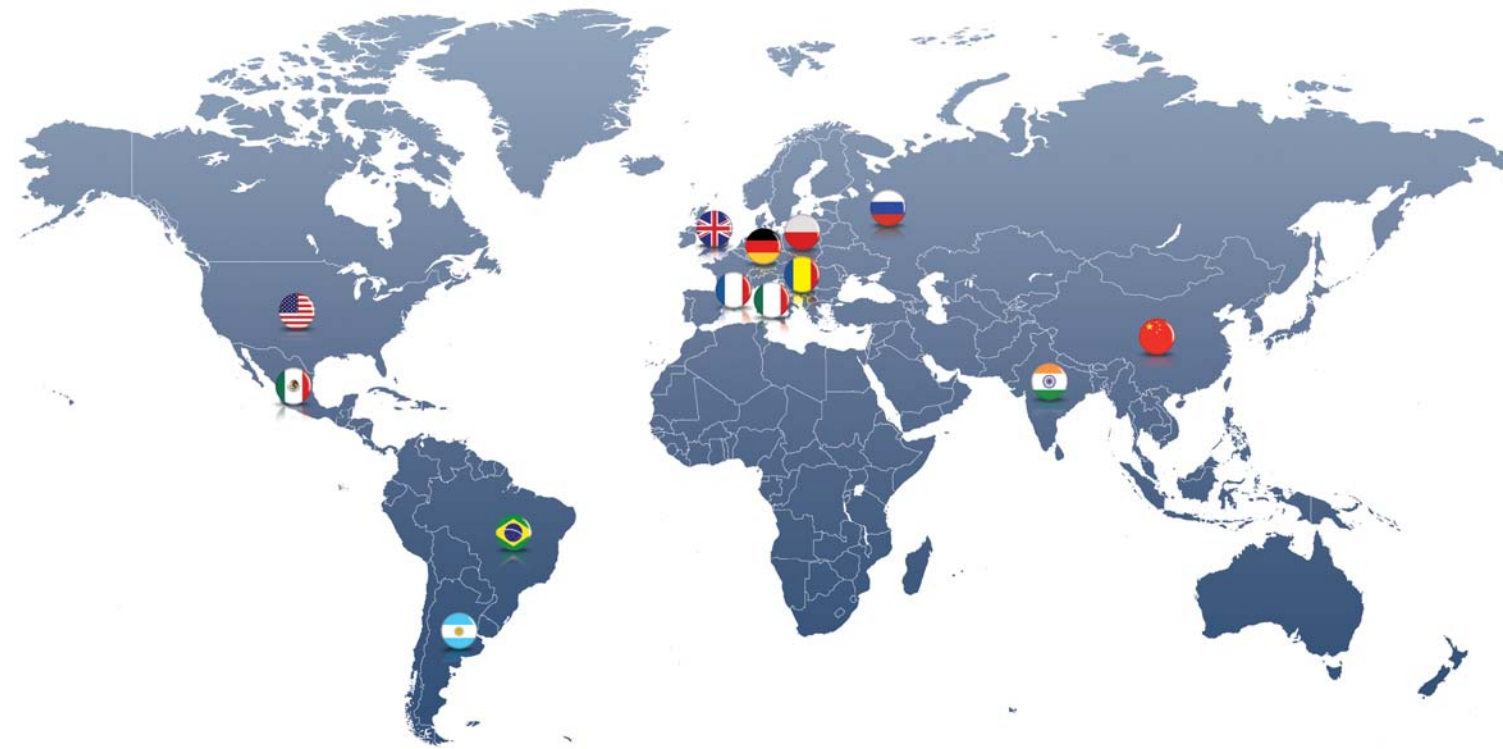


Smart NJ Heavy Payload

Follow us on



COMAU GLOBAL NETWORK



Payload
✓ 290-500 kg
 Maximum horizontal reach
✓ 2997 mm
 Repeatability
✓ 0.15 mm

ROBOT APPLICATIONS

- Assembly
- Foundry
- Handling Packaging
- Machine Tending
- Measuring Testing
- Plasma Cutting Water Jet
- Polishing Deburring
- Press Brake Bending
- Processing Machining
- Spot Welding
- Wood-Glass Machining

MODEL	NJ 290 - 3.0	NJ 370 - 2.7	NJ 370 - 3.0	NJ 420 - 3.0	NJ 450 - 2.7	NJ 500 - 2.7
Number of axes	6	6	6	6	6	6
Load at wrist (kg)	290	370	370	370	450	500
Additional load on forearm (kg)	50	50	50	50	50	50
Torque (Nm)	Axis 4	1668	2109	2019	2550	2550
	Axis 5	1668	2109	2019	2550	2550
	Axis 6	1177	1177	1569	1569	1569
Stroke (Speed)	Axis 1	+/- 180° (90°/s)	+/- 180° (85°/s)	+/- 180° (85°/s)	+/- 180° (85°/s)	+/- 180° (85°/s)
	Axis 2	+75° (90°/s)	+75°/- 60° (85°/s)	+75°/- 60° (85°/s)	+75°/- 60° (85°/s)	+75°/- 60° (85°/s)
	Axis 3	0°- 220° (90°/s)	-10°- 231° (85°/s)	-10°- 231° (85°/s)	-10°- 231° (85°/s)	-10°- 231° (85°/s)
	Axis 4	+/- 2700° (105°/s)	+/- 2700° (90°/s)	+/- 2700° (90°/s)	+/- 2700° (90°/s)	+/- 2700° (90°/s)
	Axis 5	+/- 125° (105°/s)	+/- 125° (90°/s)	+/- 125° (90°/s)	+/- 125° (90°/s)	+/- 125° (90°/s)
	Axis 6	+/- 2700° (160°/s)	+/- 2700° (120°/s)	+/- 2700° (120°/s)	+/- 2700° (120°/s)	+/- 2700° (120°/s)
Repeatability ISO 9283 (mm)	0.15	0.15	0.15	0.15	0.15	0.15
Maximum horizontal reach (mm)	2997	2703	2997	2997	2703	2703
Robot weight (kg)	2150	2100	2450	2450	2400	2400
Protection Class	IP65 / IP67	IP65 / IP67	IP65 / IP67	IP65 / IP67	IP65 / IP67	IP65 / IP67
Operating Areas (mm)	A	3680	3680	3680	3292	3392
	B	2997	2997	2997	2997	2703
	C	3195	3195	3195	3195	2895
	D	433	433	433	433	486
	E	-118	-118	-118	-118	181
Mounting position	Floor	Floor	Floor	Floor	Floor	Floor



COMAU

Sales • +39 011 0045406 • sales.robotics@comau.com
 Service • +39 011 0045479 • service.robotics@comau.com
www.comau.com

The information contained in this brochure is supplied for information only. Comau S.p.A. reserves the right to alter specifications at any time without notice for technical or commercial reasons. The illustration does not necessarily show the products in their standard version. - 01/14 - Turin



COMAU

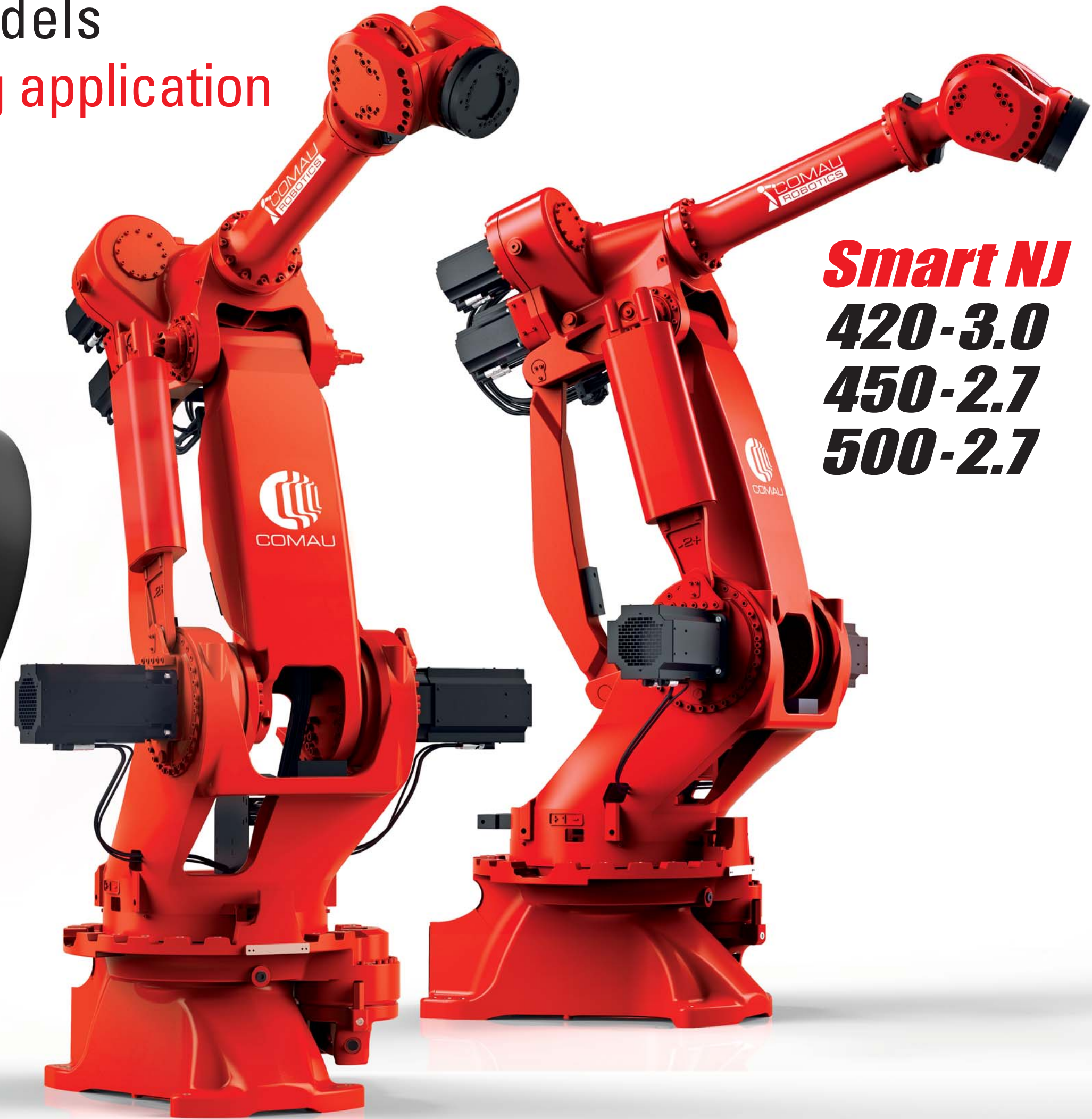
Smart NJ Heavy Payload

These models have a robust mechanics and the best-in-class payload/reach ratio, with a floor space-saving base.

Strongests models
for the most demanding application



Smart NJ
290-3.0
370-2.7
370-3.0



Smart NJ
420-3.0
450-2.7
500-2.7