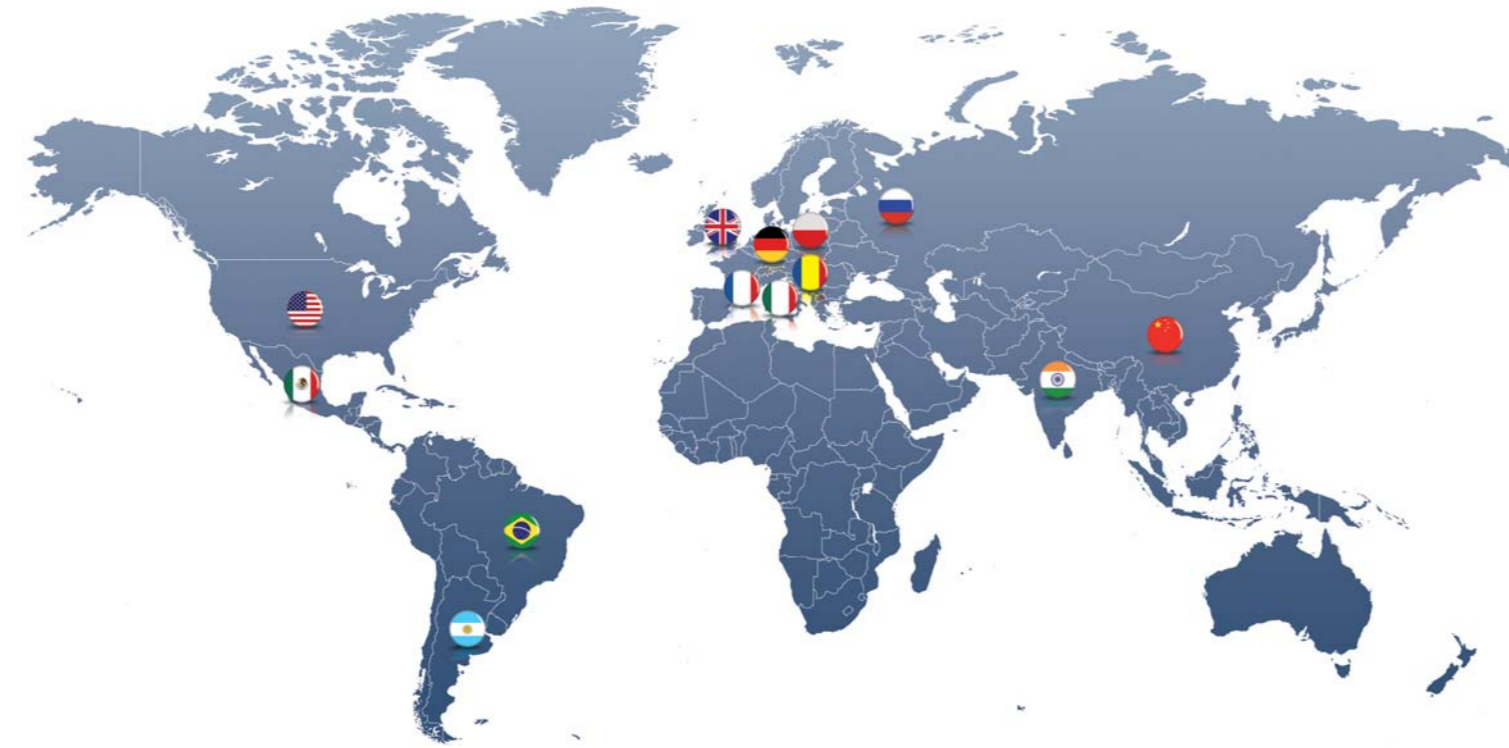


Smart NJ High Payload

Follow us on

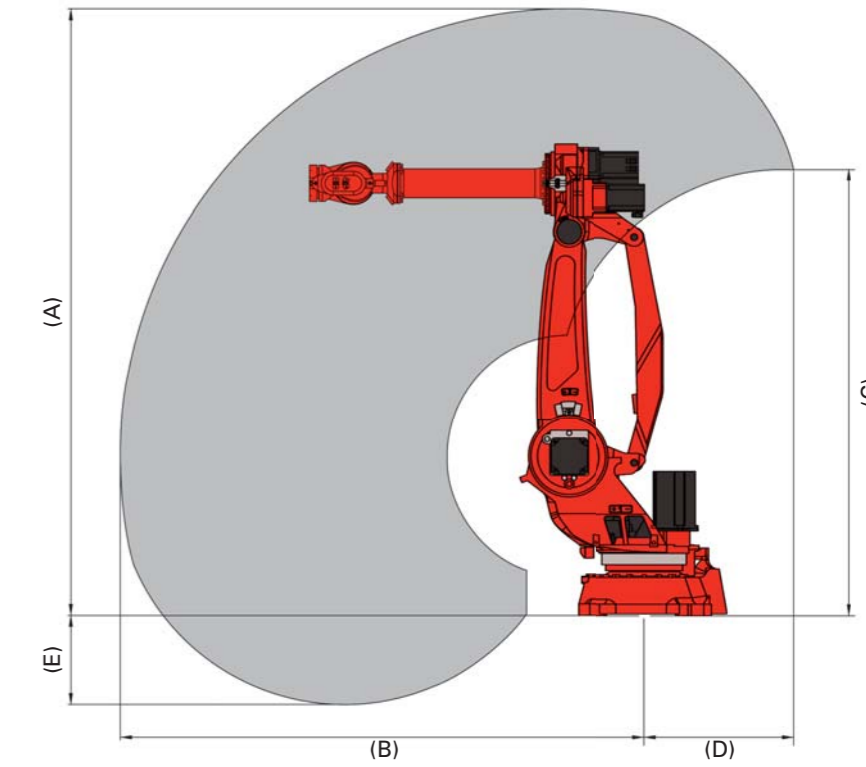
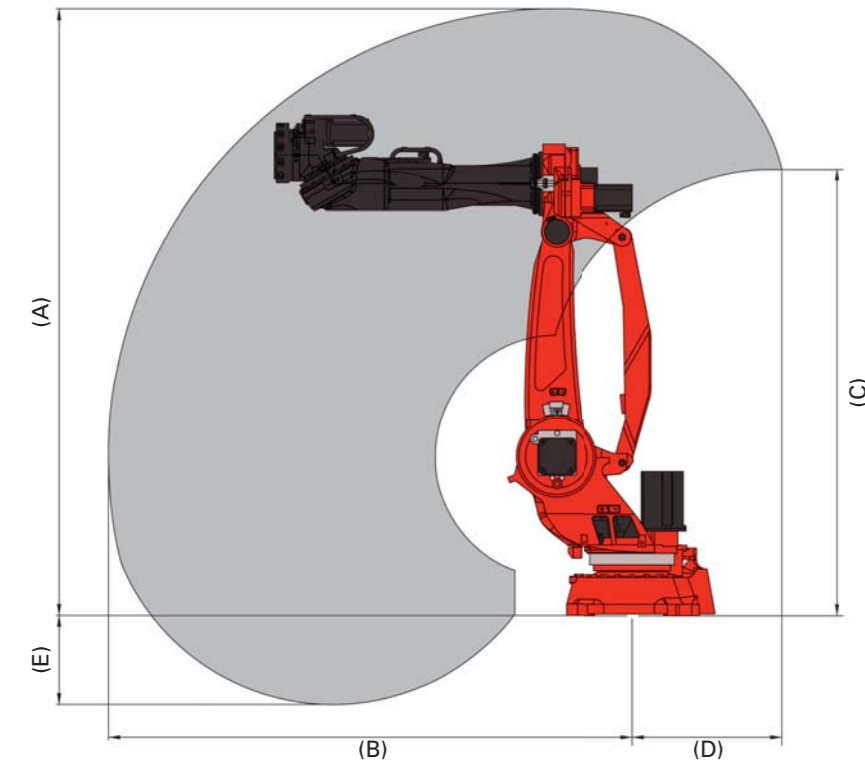


COMAU GLOBAL NETWORK



Sales • +39 011 0045406 • sales.robotics@comau.com
 Service • +39 011 0045479 • service.robotics@comau.com
www.comau.com

The information contained in this brochure is supplied for information only. Comau S.p.A. reserves the right to alter specifications at any time without notice for technical or commercial reasons. The illustration does not necessarily show the products in their standard version. - 01/14 - Turin



Payload
 ✓ **90-220 kg**
 Maximum horizontal reach
 ✓ **3000 mm**
 Repeatability
 ✓ **0.07 mm**



ROBOT APPLICATIONS

- Assembly
- Cosmoring Sealing
- Dispensing
- Handling Packaging
- Laser Welding Cutting
- Machine Tending
- Measuring Testing
- Plasma Cutting Water Jet
- Polishing Deburring
- Press Brake Bending
- Press to Press
- Processing Machining
- Wood-Glass Machining

MODEL	NJ 110 - 3.0	NJ 130-2.6	NJ 165 - 3.0	NJ 220 - 2.7	
Number of axes	6	6	6	6	
Load at wrist (kg)	110	130	165	220	
Additional load on forearm (kg)	50	50	50	50	
Torque (Nm)	Axis 4	638	1230	1230	
	Axis 5	638	1230	1230	
	Axis 6	314	314	712	
Stroke (Speed)	Axis 1	+/- 180° (110°/s)	+/- 180° (90°/s)	+/- 180° (100°/s)	+/- 180° (100°/s)
	Axis 2	+95°/- 75° (110°/s)	+95°/- 75° (90°/s)	+95°/- 75° (90°/s)	+95°/- 75° (90°/s)
	Axis 3	-10°/- 256° (110°/s)	-10°/- 256° (90°/s)	-10°/- 256° (110°/s)	-10°/- 256° (110°/s)
	Axis 4	+/- 280° (190°/s)	+/- 280° (115°/s)	+/- 2700° (130°/s)	+/- 2700° (130°/s)
	Axis 5	+/- 120° (190°/s)	+/- 120° (125°/s)	+/- 125° (130°/s)	+/- 125° (130°/s)
	Axis 6	+/- 2700° (230°/s)	+/- 2700° (170°/s)	+/- 2700° (195°/s)	+/- 2700° (195°/s)
Repeatability ISO 9283 (mm)	0.07	0.07	0.09	0.08	
Maximum horizontal reach (mm)	2980	2616	3000	2701	
Robot weight (kg)	1070	1050	1240	1220	
Protection Class	IP 65 / IP 67	IP 65 / IP 67	IP 65 / IP 67	IP 65 / IP 67	
Operating Areas (mm)	A	3460	3097	3430	3131
	B	2980	2616	3000	2701
	C	2642	2261	2600	2286
	D	757	824	730	786
	E	783	404	738	425
Mounting position	Floor / Ceiling	Floor / Ceiling	Floor / Ceiling	Floor / Ceiling	

NJ4 90-2.2	NJ4 110-2.2	NJ4 170-2.5	NJ4 175-2.2	NJ4 220-2.4	NJ4 220-2.7
6	6	6	6	6	6
90	110	170	175	220	220
10*	10*	50	50	25	25
577	796	1010	1010	1320	1320
432	609	804	804	950	950
206	284	412	412	690	690
+/-180° (170°/s)	+/-180° (110°/s)	+/- 180° (110°/s)	+/- 180° (110°/s)	+/- 180° (100°/s)	+/- 180° (100°/s)
-60°/+125° (125°/s)	-60°/+125° (110°/s)	-75° / +95° (110°/s)	-75° / +95° (110°/s)	-75° / +95° (90°/s)	-75° / +95° (90°/s)
0°/-165° (165°/s)	0°/-165° (110°/s)	-10° / -230° (110°/s)	-10° / -230° (110°/s)	-10° / -230° (110°/s)	-10° / -230° (110°/s)
+/-200° (200°/s)	+/-200° (180°/s)	+/- 200° (180°/s)	+/- 200° (180°/s)	+/- 200° (130°/s)	+/- 200° (130°/s)
+/-200° (165°/s)	+/-200° (140°/s)	+/- 200° (140°/s)	+/- 200° (140°/s)	+/- 200° (125°/s)	+/- 200° (125°/s)
+/-200° (265°/s)	+/-200° (190°/s)	+/- 200° (190°/s)	+/- 200° (190°/s)	+/- 200° (170°/s)	+/- 200° (170°/s)
0.07	0.07	0.10	0.10	0.15	0.15
2210	2210	2500	2500	2417	2738
685	685	1100	1100	1260	1290
IP65	IP65	IP65	IP65	IP65	IP65
2360	2360	2981	2981	2847	3168
2210	2210	2501	2501	2417	2738
1856	1856	2226	2226	2241	2324
712	712	720	720	465	779
893	893	387	387	436	464
Floor / Ceiling	Floor / Ceiling	Floor / Ceiling	Floor / Ceiling	Floor / Ceiling	Floor / Ceiling

(*1) Load at wrist + additional load on forearm 90/110Kg

Smart NJ
High Payload



Smart NJ
110-3.0
130-2.6
165-3.0
220-2.7

Also available
in Foundry version IP67

Reliability and
excellent performance



NEW
Smart NJ 4
Black Wrist
90-2.2
110-2.2
170-2.5
175-2.2
220-2.4
220-2.7



Smart NJ4 Black Wrist:

Comau offers the advantages of its "hollow wrist" technology which allows customers to house their customized robot dressing inside the forearm, rather than externally as in conventional robots. This solution guarantees an unequalled level of performance and significant savings in maintenance costs.